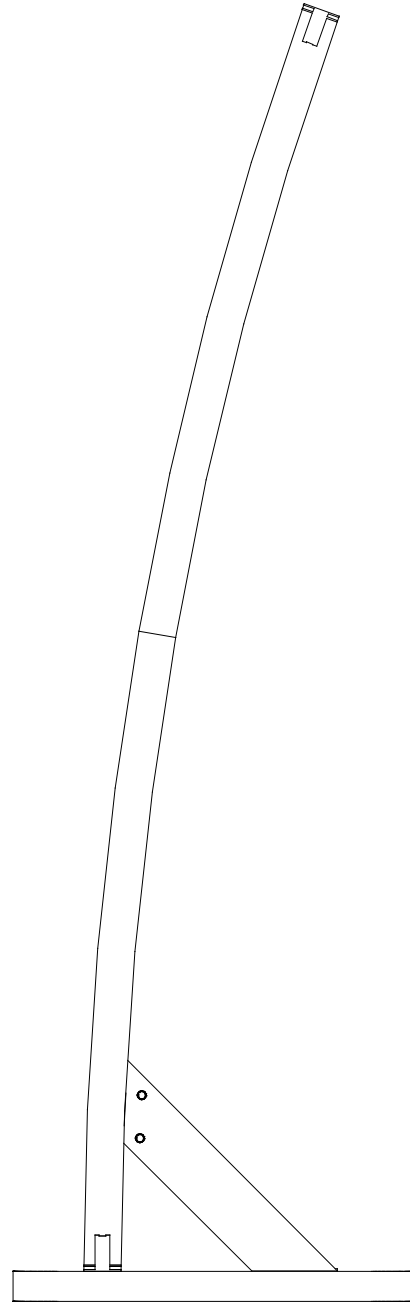
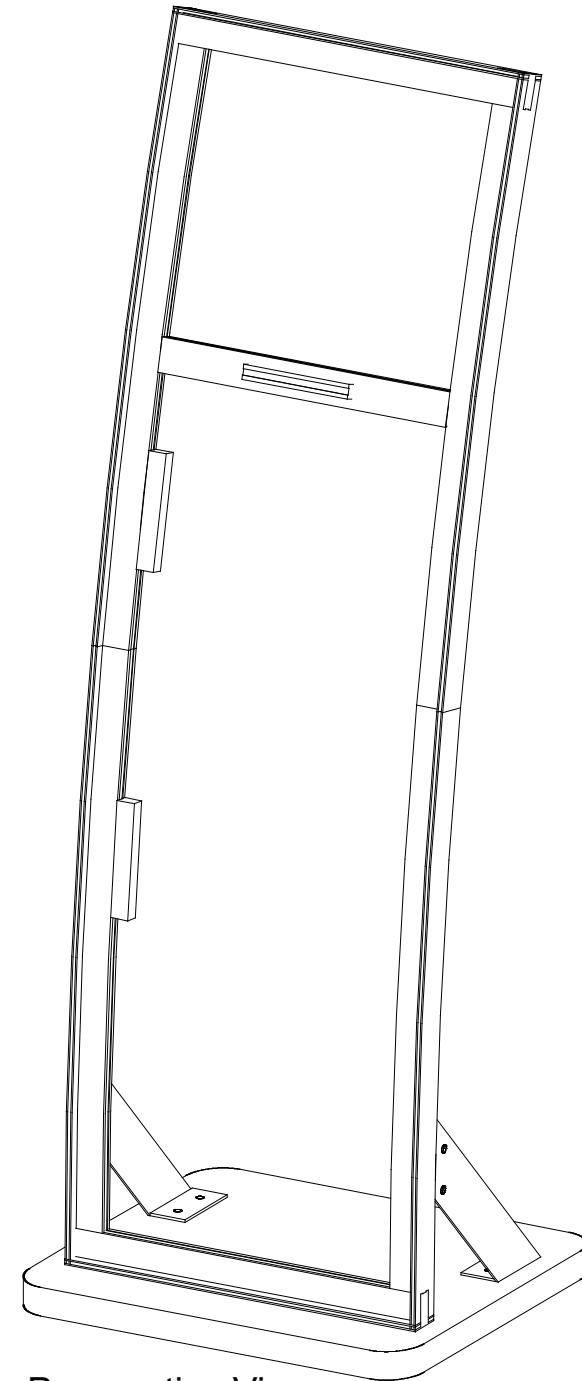


Top View



Side View



Perspective View

SETUP INSTRUCTIONS

General Setup Instructions

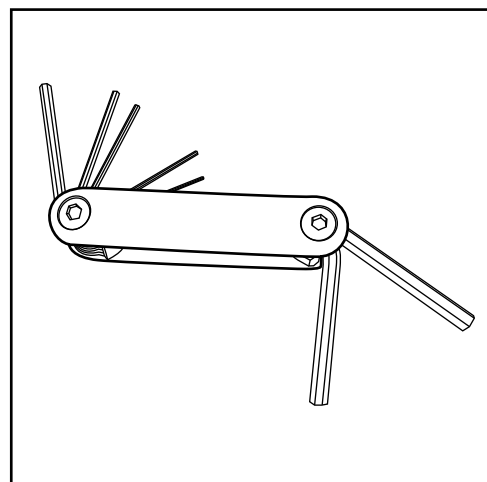
- Read entire setup instruction manual prior to unpacking parts and pieces.
- The setup instructions are created specifically for this configuration.
- Setup instructions are laid out sequentially in steps, including exploded views with detailed explanation for assembly.

Cleaning & Packing

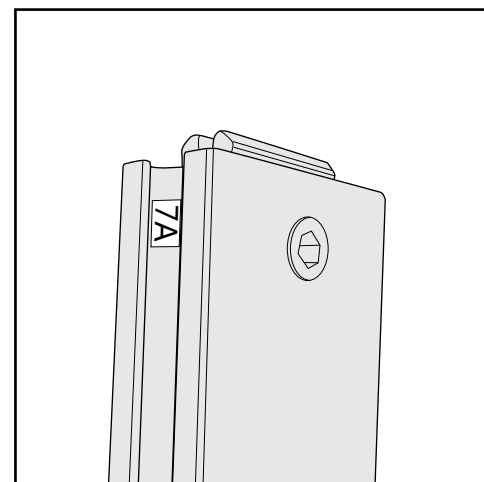
- For Cleaning Metal, Plex, & Laminate Parts: Use a **MILD NON-ABRASIVE** cleanser and soft cloth/paper towel to clean all surfaces.
- Keep exhibit components away from heat and prolonged sun exposure. **Heat and UV exposure will warp and fade components.**
- Retain all provided Packing Materials. All provided packing materials are for ease of repacking & component protection.

Disassembly

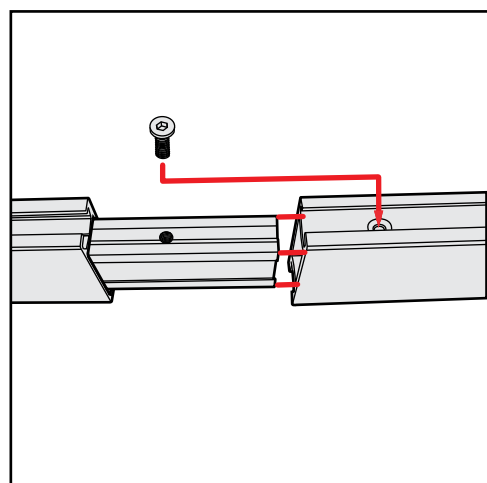
- For loss prevention, tighten all set screws and locks during disassembly.



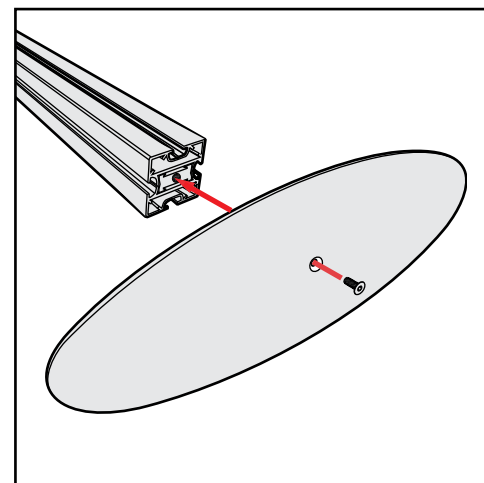
Hex Tool - Essential for Assembly



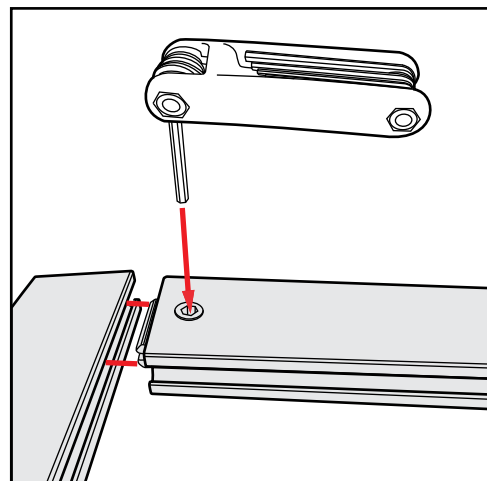
Part Identification - Numbering



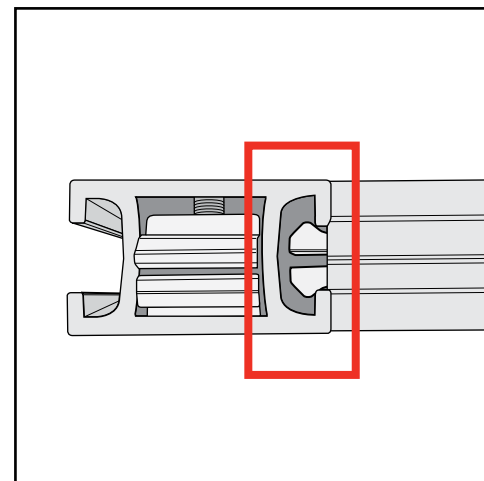
Spline Connection



Base Plate & Extrusion Connection



Extrusion & Lock Connection



Engaged Lock



WARNING



DO NOT USE POWER TOOLS



LADDERS OR LIFTS
MAY BE REQUIRED

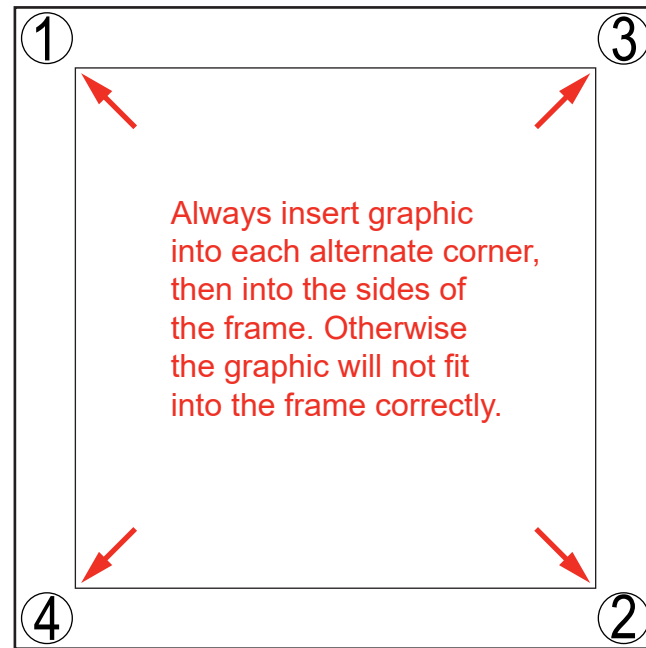


ALL CONNECTIONS MUST
BE TIGHTLY SECURED

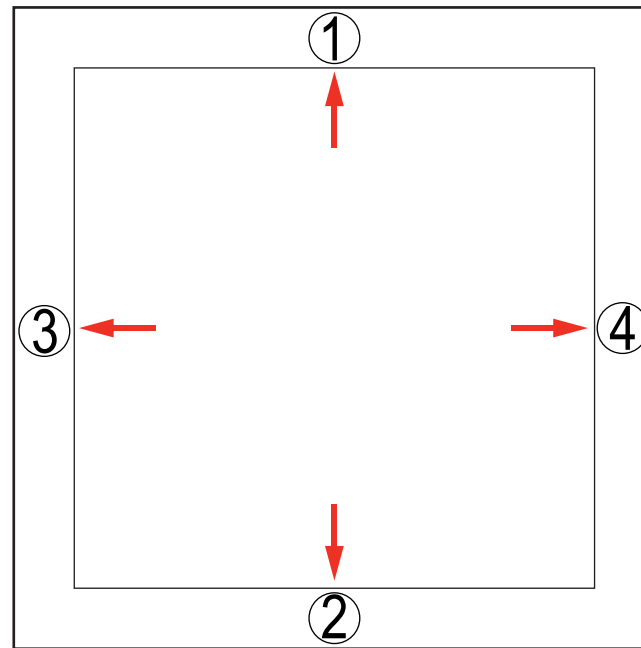
The Perfect Fit

SEG Graphic Installation in 3 Steps

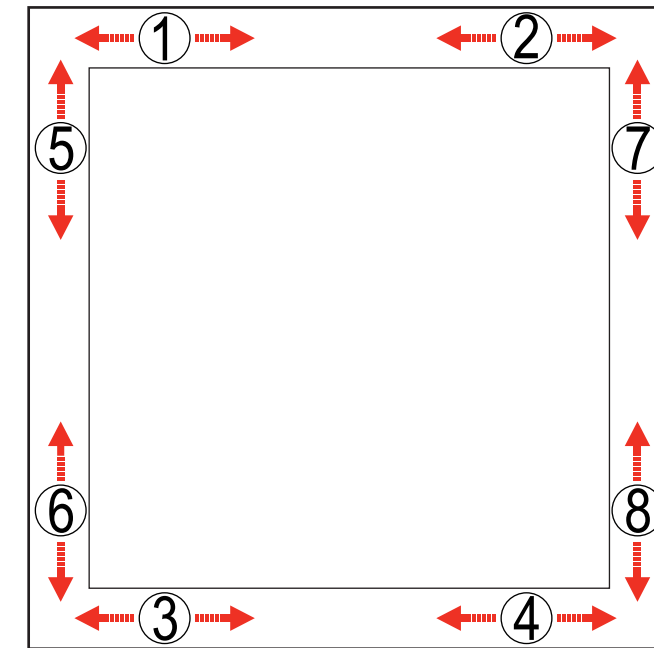
STEP 1: Attach Corners



STEP 2: Attach Middle



STEP 3: Attach Sides



Insert narrow side of silicone welt into the channel at corner 1, with fabric to the outside.

Repeat for opposite corner 2, then corner 3, then corner 4.

Once corners are attached, press the middle of edge 1 into the channel. Then press middle of edge 2 into the channel on opposite side.

Repeat with edge 3 & 4.

Once the middle of sides are attached, fully press the silicone welt into the channel, between center and corner at location 1. Repeat the process between center and corner at location 2.

Do the same for welt on opposite side, at locations 3 & 4. Then repeat for locations 5 & 6 and 7 & 8.

Once the welt is fully inserted on all sides, smooth out edges as needed for a perfect fit.



To remove the graphic from the frame, locate the fabric **pull tab**. Gently pull on the tab to remove the graphic.

Install video:

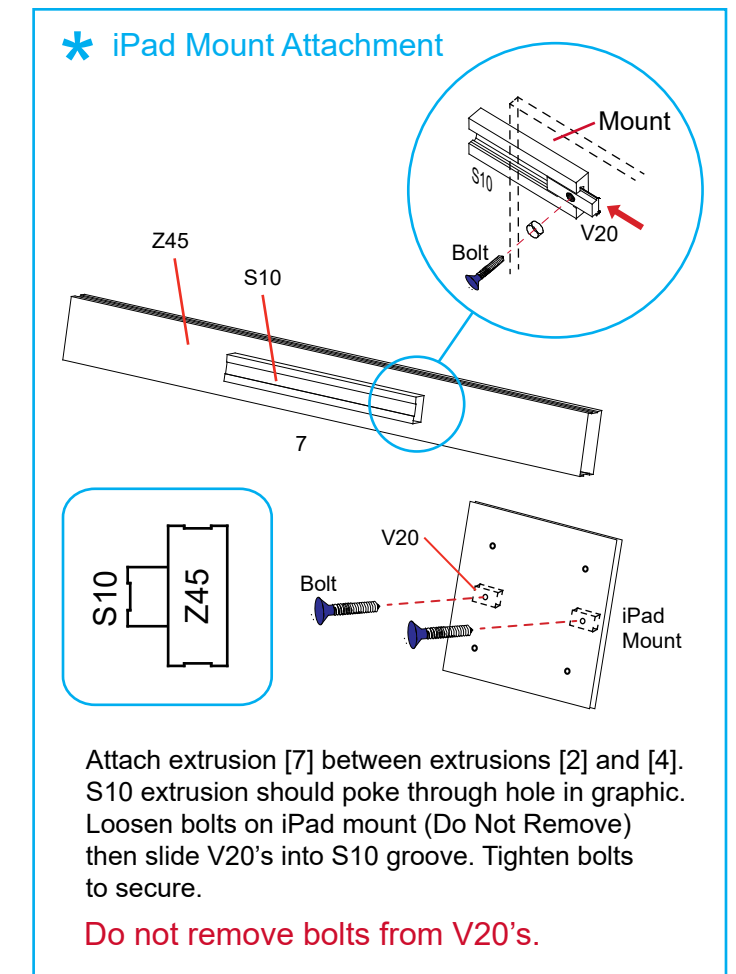
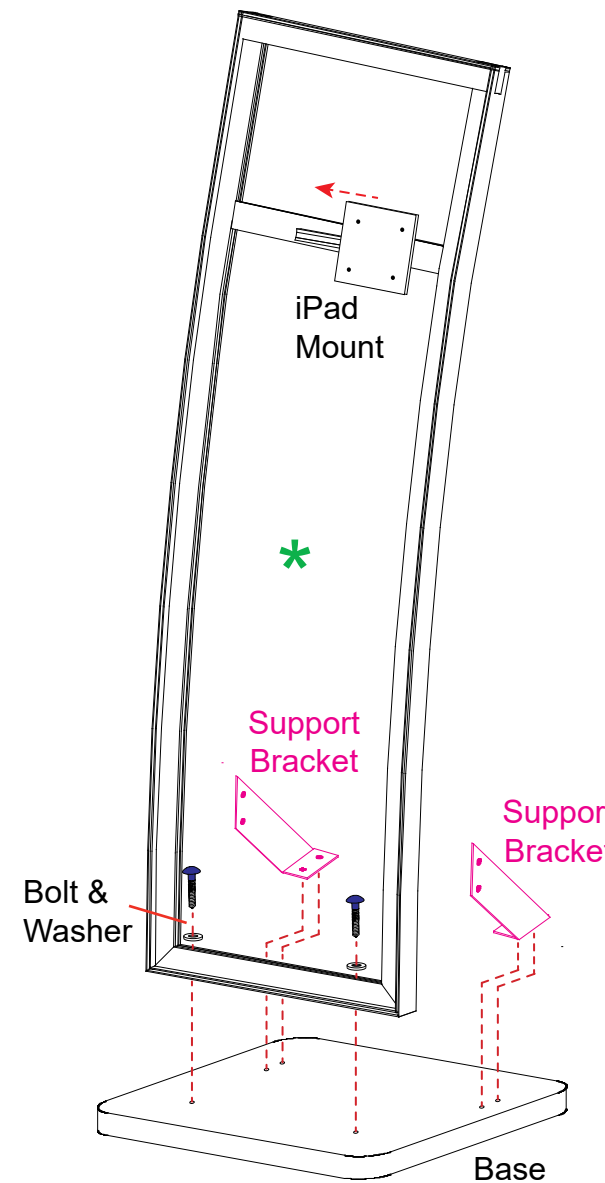
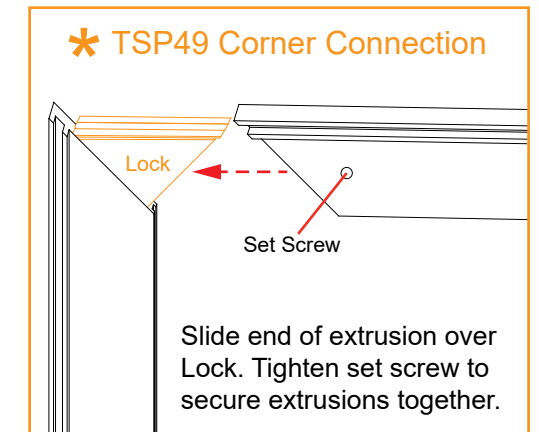
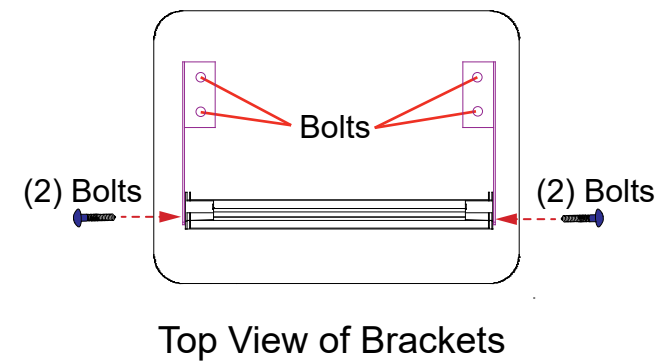
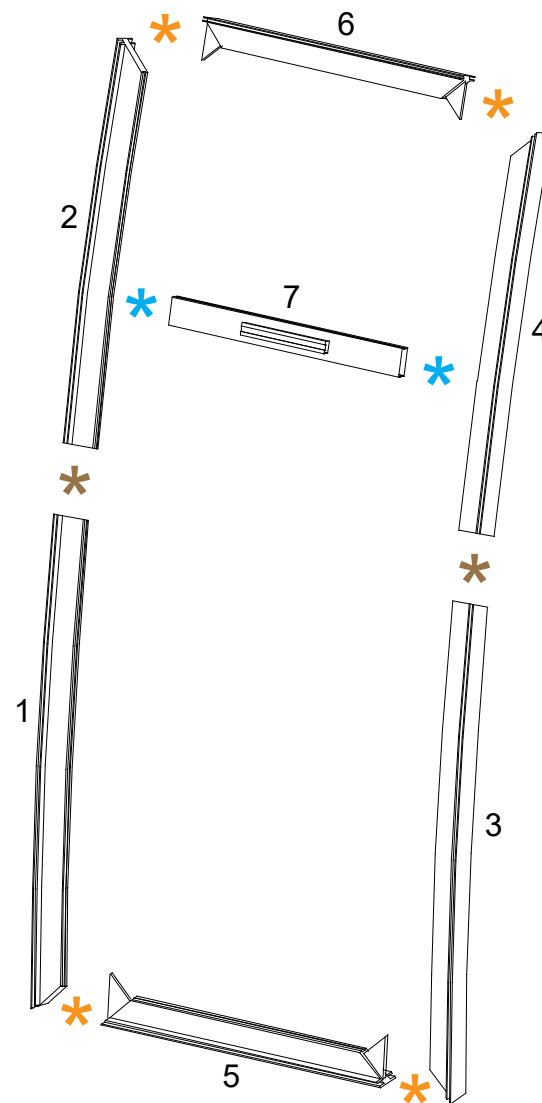
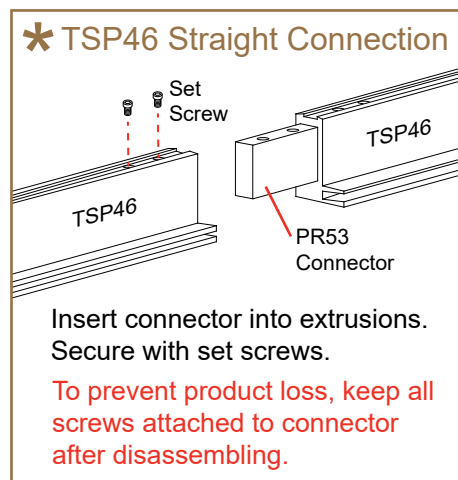


Item	Qty.	Description
1	1	32.075" TSP49 Curved Extrusion
2	1	32.075" TSP49 Curved Extrusion
3	1	32.075" TSP49 Curved Extrusion
4	1	32.075" TSP49 Curved Extrusion
5	1	20" TSP49 Horizontal Extrusion
6	1	20" TSP49 Horizontal Extrusion
7	1	16.417" Z45 Horizontal Extrusion w/ 6" S10

Steps:

- 1) Connect extrusion [1] to [2] and [3] to [4]. See **TSP46 Straight Connection** detail.
 - 2) Connect assemblies [1/2] and [2/3], using [5] and [6]. See **TSV49 Corner Connection** detail.
 - 3) Attach assembled frame to base, using bolts and washers.
 - 4) Attach **Support Brackets** to back, using bolts.
 - 5) Install SEG graphic to front of assembled frame. See SEG Installation sheet for instruction.
 - 6) Attach iPad mount. See **iPad Mount Attachment** detail.
- Continued next page --

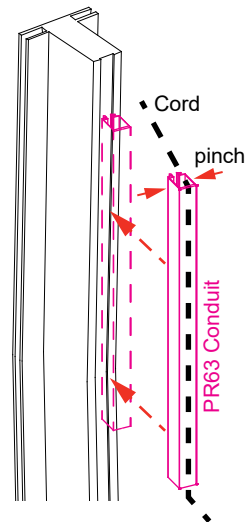
Keep PR53 connectors attached to extrusions [1] and [3], when packing.



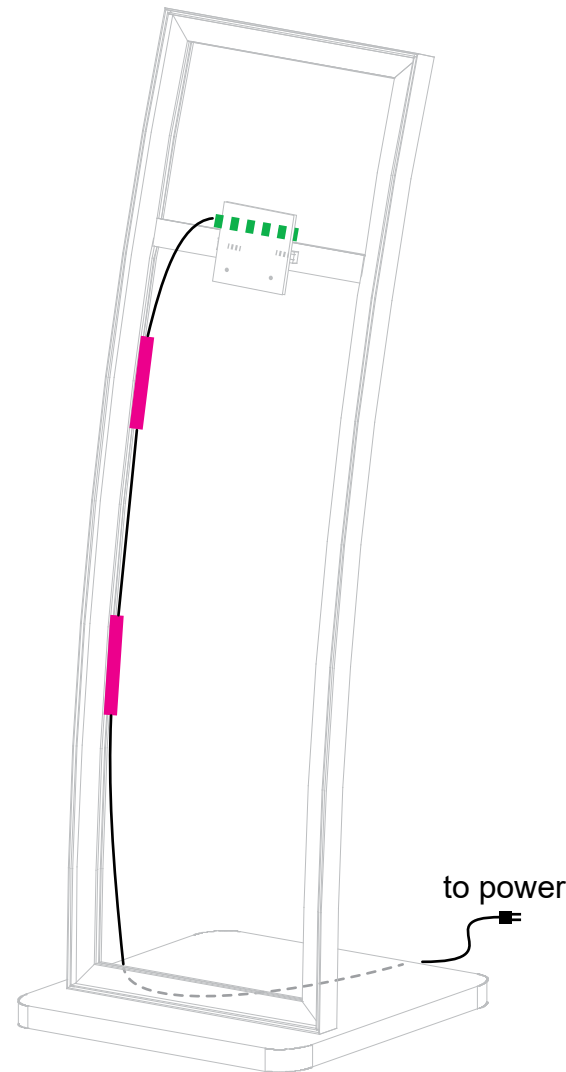
Steps Continued:

- 9) Attach clamshell with iPad. See [Clamshell Attachment](#) detail.
- 10) Route cord thru conduit then thru hole in base. See [Cord Management](#) detail.
- 11) Install SEG graphic to back of assembled frame. See SEG Installation sheet for instruction.

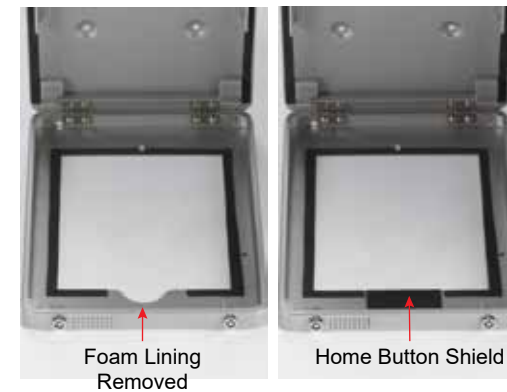
Cord Management



Route cord through conduit. Attach conduit by pinching the opening and inserting into the groove of extrusion.

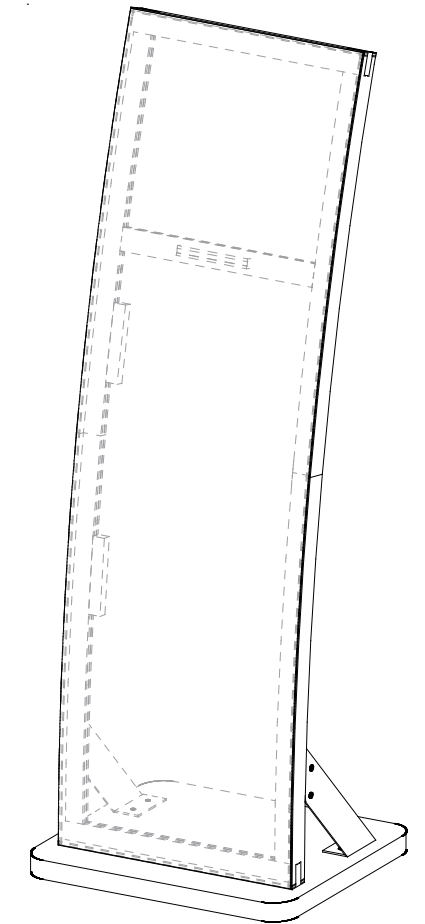


Optional Cover for Home Button



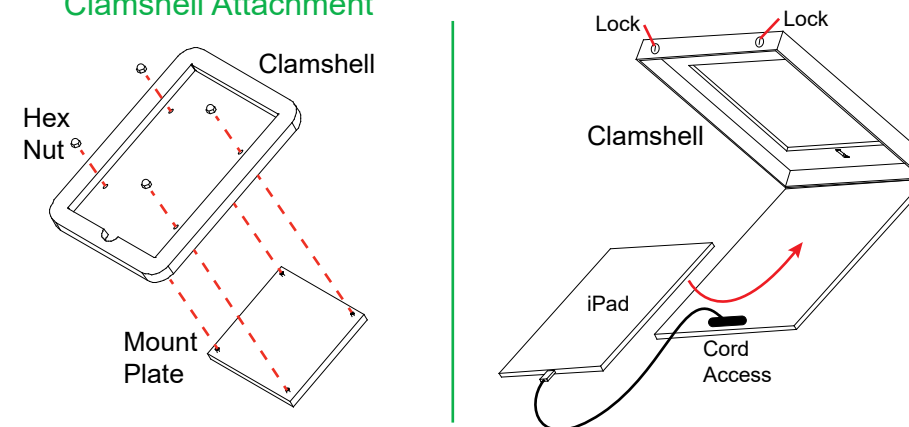
- 1) Remove foam lining from inside bottom of Clamshell.
- 2) Attach Home Button Shield with double-sided tape to inside of Clamshell, keeping top of shield flush with Clamshell opening.

NOTE: This is a permanent fix and can't be easily removed.



Completed Assembly

Clamshell Attachment



Connect Clamshell to Mount Plate then secure with Hex Nuts. Insert iPad.